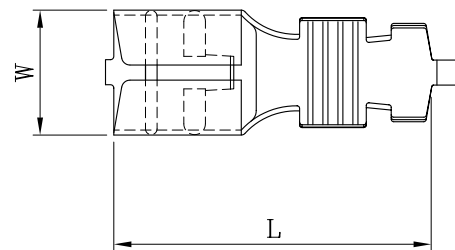
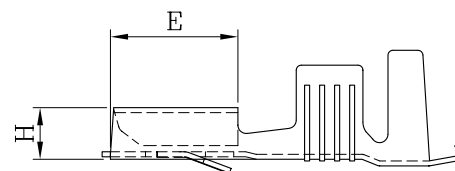
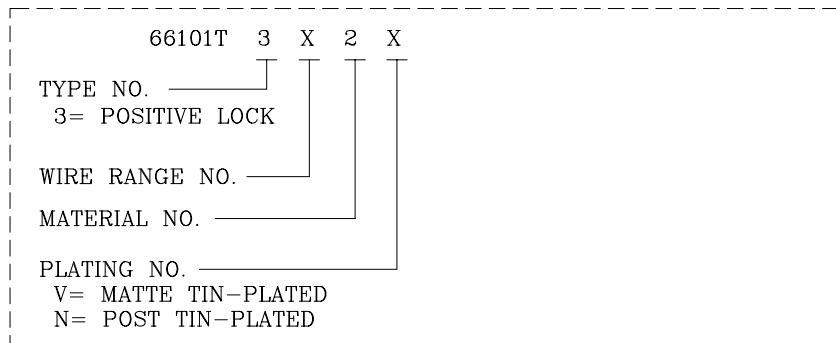


SPECIFICATION:

- Current rating: 16A AC/DC Max.
- Voltage Range: 250V AC,DC
- Temperature Range: -40 °C to 105 °C

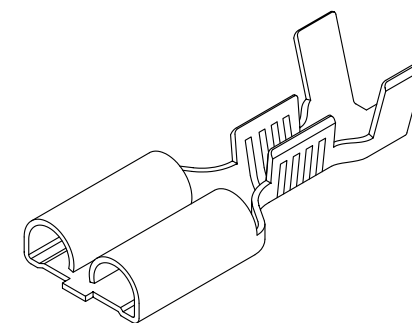


DESCRIPTION OF ORDER NO.:



ORDER INFORMATION:

Part No.	Carrier	TAB-Mate Thickness	Wire Range AWG	Insulation O.D.	Dimension (mm)			
					H	W	L	E
66101T312V	Chain	0.8	18 - 22	2.8 Max.	3.0	7.45	19.1	7.65
66101T322V	Chain	0.8	14 - 20	3.5 Max.	3.0	7.45	19.1	7.65
66101T332V	Chain	0.8	10 - 12	5.1 Max.	3.0	7.45	19.1	7.65



ISOMETRIC VIEW

NOTES:

1. MATERIAL: BRASS, 0.4(t)
2. USE WITH HOUSING FOR 250 TYPE SERIES TAB-MATE TERMINAL.
3. MATES WITH 3301T, 3302T SERIES PCB TERMINAL.
4. PACKING: Q'TY PER REEL= 5,000 PCS
5. INFORMATION IN THIS DRAWING IS NOT CONSIDERED AS FINAL.



Sales Drawing



聯盈電子股份有限公司
LANDWIN ELECTRONIC CORP.

MATERIAL: SEE NOTES				FINISH(COLOR): SEE NOTES				GENERAL TOLERANCE:		PROJECTION	SCALE	UNIT	SHEET NO.	REV
								FREE		⊕	FREE	MM	1 / 1	W1
								DRAWN		R.G.		DRAW NO.		
								CHECKED		J.L.Lin		(BQ) 66101T3X2X		
								APPD		H.Y.Lin		TITLE:		
W1 NEW RELEASE				31-DEC-14'				ANGULAR ±3°		DATE 31-DEC-14'		250 TYPE TAB-MATE CRIMP TERMINAL (TYPE-3)		
REV. REVISION RECORD				DATE										