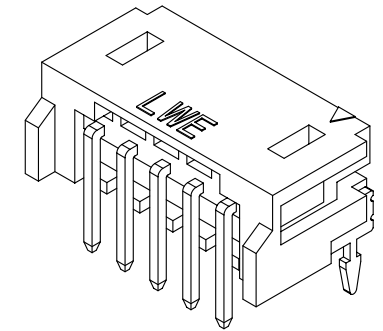
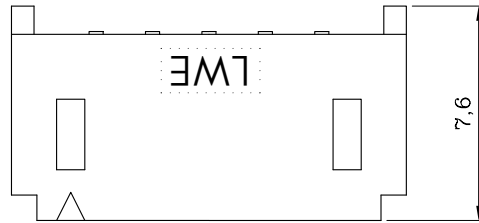
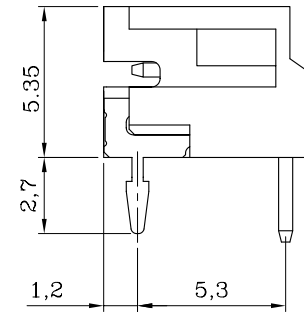
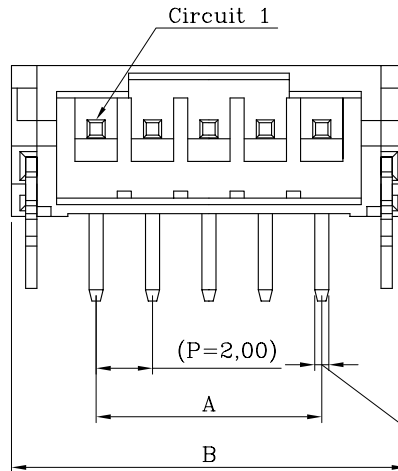


ORDER INFORMATION AND DIMENSION:

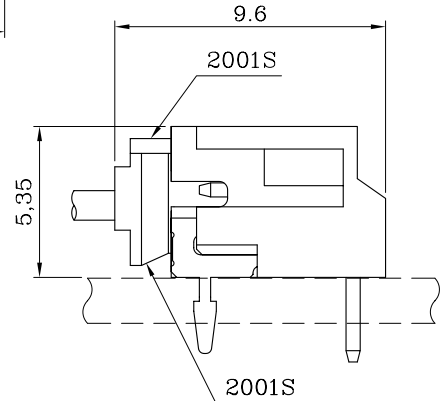
Circuits	Part No. (Reflow tin, Ivory color)	Dimension	
		A	B
2	2003P02 B4T	2.0	8.0
3	2003P03 B4T	4.0	10.0
4	2003P04 B4T	6.0	12.0
5	2003P05 B4T	8.0	14.0
6	2003P06 B4T	10.0	16.0
7	2003P07 B4T	12.0	18.0
8	2003P08 B4T	14.0	20.0
9	2003P09 B4T	16.0	22.0
10	2003P10 B4T	18.0	24.0
11	2003P11 B4T	20.0	26.0
12	2003P12 B4T	22.0	28.0
13	2003P13 B4T	24.0	30.0
14	2003P14 B4T	26.0	32.0
15	2003P15 B4T	28.0	34.0



ISOMETRIC VIEW

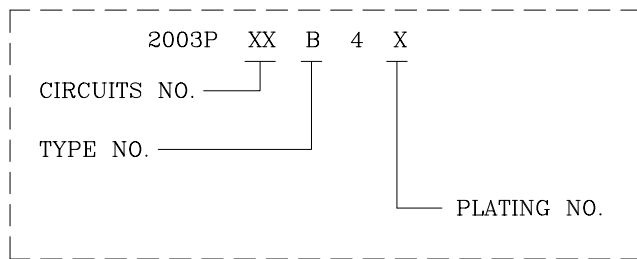


0,50 SQUARE PIN



ASSEMBLY LAYOUT

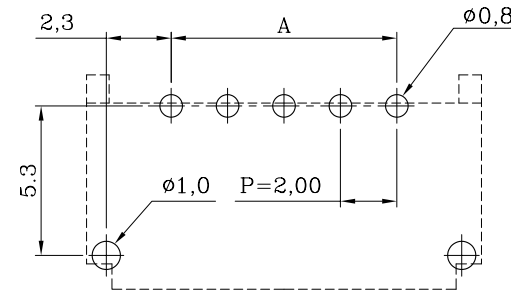
DESCRIPTION OF ORDER NO.:



NOTES:

- MATERIAL:
BASE: HIGH HDT NYLON 94V-0, IVORY COLOR (NATURAL)
CONTACT PIN: BRASS
- MATES WITH 2001S SINGLE-ROW SERIES PLUG HOUSING.
- DESCRIPTION OF COLOR CODE:
LEGEND: 2003PXXB4X-X (-X: COLOR CODE)
B=BLACK, C=COCONUT BROWN, E=BLUE, H=GRAY,
I=BRICK RED, M=GREEN, R=RED, W=BROWN
- REPLACEMENT OF HALOGEN-FREE PRODUCT:
LEGEND: 2003PXXB4X-XNH (NH: HALOGEN-FREE)
LEGEND: 2003PXXB4X-SNH (S=NATURAL COLOR)
- INFORMATION IN THIS DRAWING IS NOT CONSIDERED AS FINAL.

P.C. BOARD LAYOUT



Sales Drawing



聯盈電子股份有限公司
LANDWIN ELECTRONIC CORP.

GENERAL TOLERANCE:	PROJECTION	SCALE	UNIT	SHEET NO.	REV
	⊕	FREE	MM	1 / 1	W1
	DRAWN	R.G.	DRAW NO.		
	CHECKED	J.L.Lin	(CQ) 2003PXXB4X		
	APPD	H.Y.Lin	TITLE:		
W1	NEW RELEASE	31-DEC-14'	ANGULAR ±3°	DATE 31-DEC-14'	2.00 PITCH SINGLE-ROW RIGHT-ANGLE DIP-HEADER
REV.	REVISION RECORD	DATE			

DESCRIPTION OF PLATING CODE			
T	REFLOW TIN-PLATED	1	GOLD FLASH-PLATED