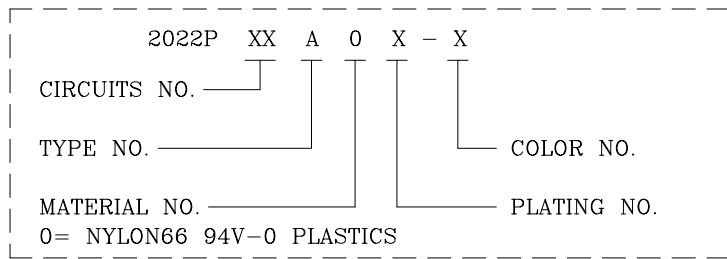


ORDER INFORMATION AND DIMENSION:

Circuits	Part No. (Reflow tin, Black color)	Dimension	
		A	B
2	2022P02A0T-B	2.0	5.8
3	2022P03A0T-B	4.0	7.8
4	2022P04A0T-B	6.0	9.8
5	2022P05A0T-B	8.0	11.8
6	2022P06A0T-B	10.0	13.8
7	2022P07A0T-B	12.0	15.8
8	2022P08A0T-B	14.0	17.8
9	2022P09A0T-B	16.0	19.8
10	2022P10A0T-B	18.0	21.8
11	2022P11A0T-B	20.0	23.8
12	2022P12A0T-B	22.0	25.8
13	2022P13A0T-B	24.0	27.8
14	2022P14A0T-B	26.0	29.8
15	2022P15A0T-B	28.0	31.8

DESCRIPTION OF ORDER NO.:

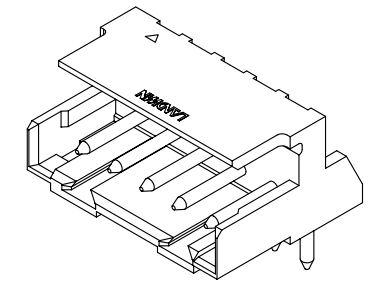
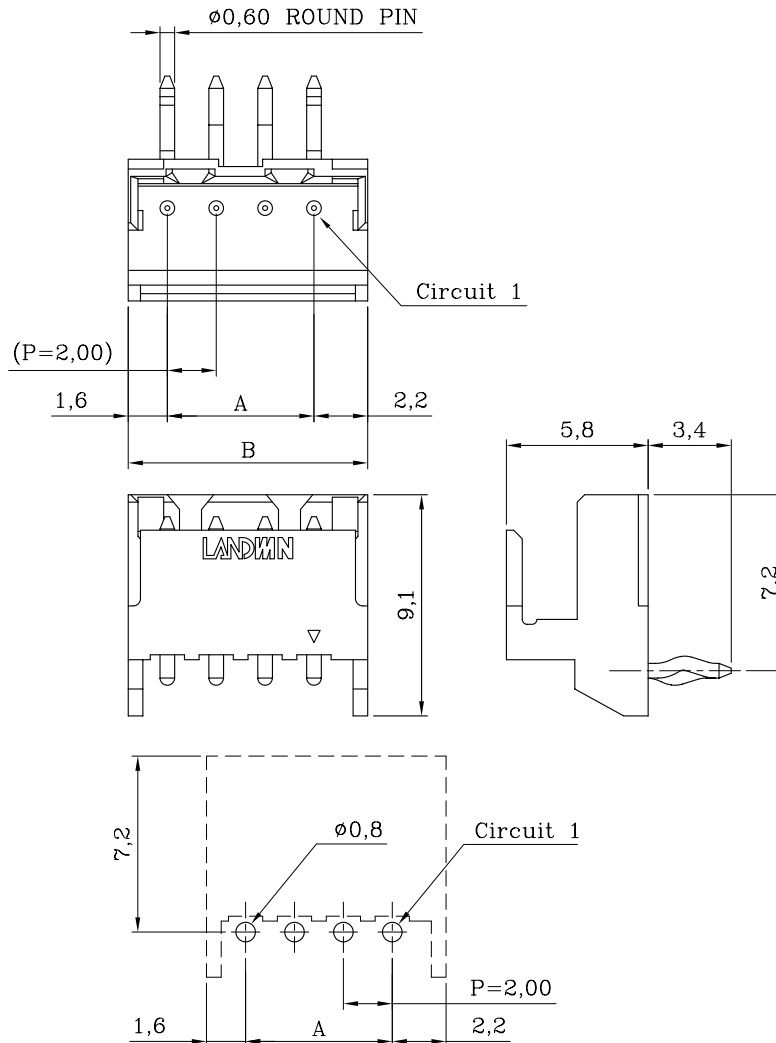


NOTES:

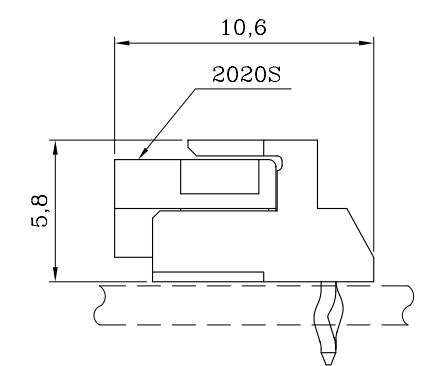
- MATERIAL:
BASE: NYLON66 94V-0
CONTACT PIN: BRASS
- MATES WITH 2020S SINGLE-ROW SERIES PLUG HOUSING.
- DESCRIPTION OF COLOR CODE:
LEGEND: 2022PXXA0X-X (-X: COLOR CODE)
B=BLACK, C=COCONUT BROWN, D=ORANGE, E=BLUE, H=GRAY,
I=BRICK RED, K=PURPLE, L=LEMON YELLOW, M=GREEN,
P=PINK, R=RED, V=LAVENDER, W=BROWN, Y=YELLOW,
S=IVORY (NATURAL)
- INFORMATION IN THIS DRAWING IS NOT CONSIDERED AS FINAL.

DESCRIPTION OF PLATING CODE

T	REFLOW TIN-PLATED	1	GOLD FLASH-PLATED
---	-------------------	---	-------------------



ISOMETRIC VIEW



ASSEMBLY LAYOUT

P.C. BOARD LAYOUT

		Sales Drawing			
		聯盈電子股份有限公司 LANDWIN ELECTRONIC CORP.			
MATERIAL: SEE NOTES		PROJECTION	SCALE	UNIT	SHEET NO.
FINISH(COLOR): SEE NOTES			FREE	MM	1 / 1
		DRAWN	R.G.	DRAW NO.	
		CHECKED	J.L.Lin	(CQ) 2022PXXA0X-X	
		APPD	H.Y.Lin	TITLE:	
W1	NEW RELEASE	31-DEC-14'	ANGULAR ±3°	DATE 31-DEC-14'	2.00 PITCH SINGLE-ROW RIGHT-ANGLE DIP-HEADER
REV.	REVISION RECORD	DATE			