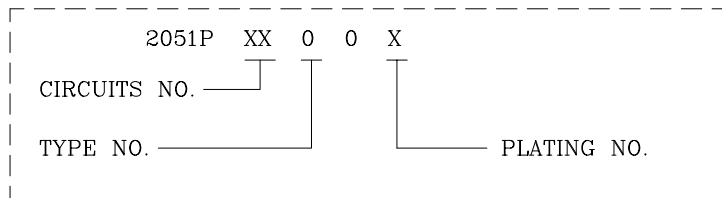


ORDER INFORMATION AND DIMENSION:

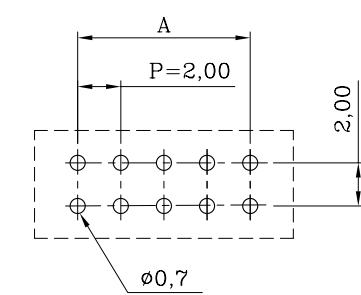
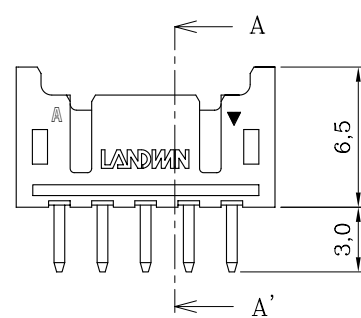
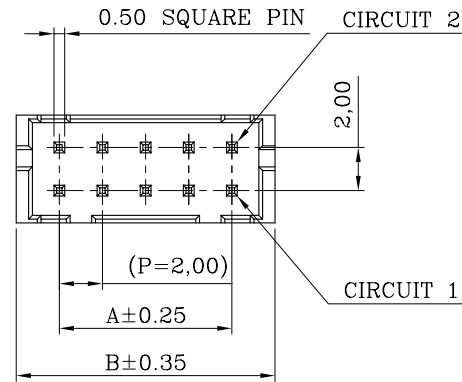
Circuits	Part No. (REFLOW TIN)	Dimension	
		A	B
10	2051P100 OT	8.0	12.0
12	2052P120 OT	10.0	14.0
14	2051P140 OT	12.0	16.0
16	2051P160 OT	14.0	18.0
18	2051P180 OT	16.0	20.0
20	2051P200 OT	18.0	22.0
22	2051P220 OT	20.0	24.0
24	2051P240 OT	22.0	26.0
26	2051P260 OT	24.0	28.0
28	2051P280 OT	26.0	30.0
30	2051P300 OT	28.0	32.0
32	2051P320 OT	30.0	34.0
34	2051P340 OT	32.0	36.0
36	2051P360 OT	34.0	38.0
38	2051P380 OT	36.0	40.0
40	2051P400 OT	38.0	42.0

DESCRIPTION OF ORDER NO.:

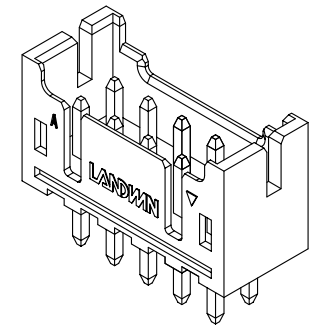


NOTES:

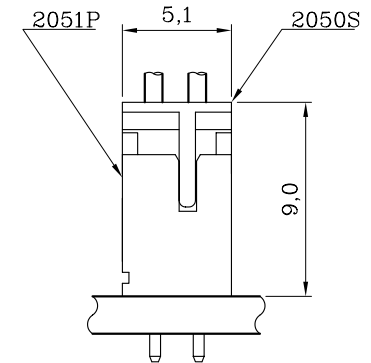
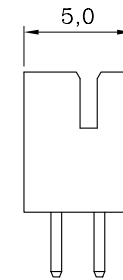
- MATERIAL:
BASE: GLASS-FILLED NYLON66 94V-0,
LIGHT IVORY COLOR(NATURAL)
CONTACT PIN: BRASS
- MATES WITH 2050S DUAL-ROW SERIES PLUG HOUSING.
- DESCRIPTION OF COLOR CODE:
LEGEND: 2051PXX00X-X (-X: COLOR CODE)
B=BLACK, C=COCONUT BROWN, E=BLUE, H=GRAY,
I=BRICK RED, M=GREEN, R=RED, W=BROWN
- REPLACEMENT OF HALOGEN-FREE PRODUCT:
LEGEND: 2051PXX00X-XNH (NH: HALOGEN-FREE)
LEGEND: 2051PXX00X-SNH (S=NATURAL COLOR)
- INFORMATION IN THIS DRAWING IS NOT CONSIDERED AS FINAL.



P.C. BOARD LAYOUT



ISOMETRIC VIEW



ASSEMBLY LAYOUT

DESCRIPTION OF PLATING CODE			
T	REFLOW TIN-PLATED	1	GOLD FLASH-PLATED

MATERIAL: SEE NOTES		FINISH(COLOR): SEE NOTES	
W1	NEW RELEASE	31-DEC-14'	ANGULAR ±3°
REV.	REVISION RECORD	DATE	

		Sales Drawing			
聯盈電子股份有限公司 LANDWIN ELECTRONIC CORP.					
GENERAL TOLERANCE:	PROJECTION	SCALE	UNIT	SHEET NO.	REV
		FREE	MM	1 / 1	W1
	DRAWN	R.G.	DRAW NO.		
	CHECKED	J.L.Lin	(CQ) 2051PXX00X		
	APPD	H.Y.Lin	TITLE:		
			2.00 PITCH DUAL-ROW STRAIGHT DIP-HEADER		