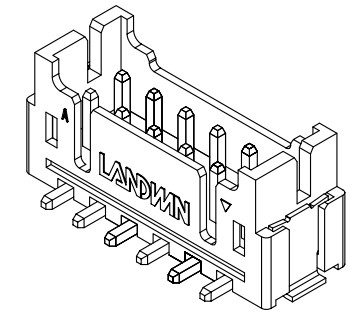
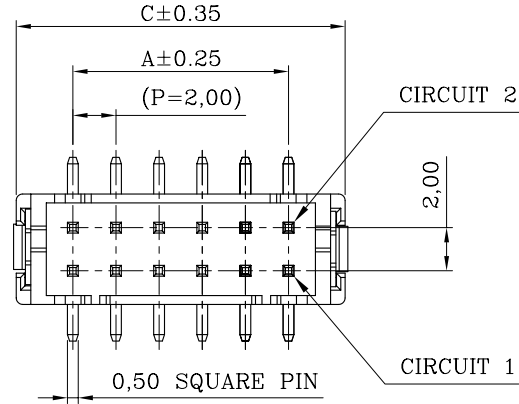
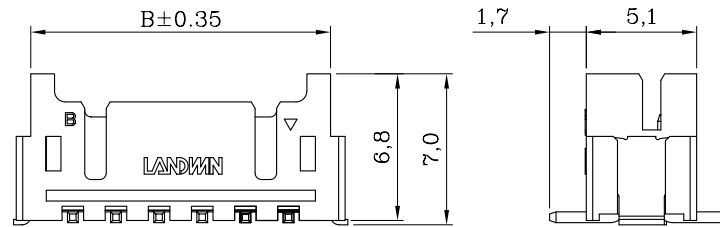


ORDER INFORMATION AND DIMENSION:

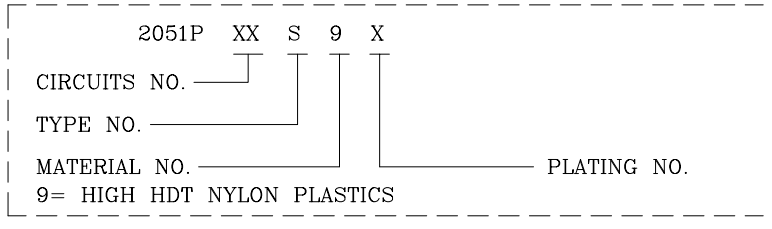
| Circuits | Part No. (REFLOW TIN) | Dimension | | |
|----------|--------------------------|-----------|------|-------|
| | | A | B | C |
| 10 | 2051P10S9T | 8.0 | 10.5 | 13.25 |
| 12 | 2051P12S9T | 10.0 | 12.5 | 15.25 |
| 14 | 2051P14S9T | 12.0 | 14.5 | 17.25 |
| 16 | 2051P16S9T | 14.0 | 16.5 | 19.25 |
| 18 | 2051P18S9T | 16.0 | 18.5 | 21.25 |
| 20 | 2051P20S9T | 18.0 | 20.5 | 23.25 |
| 22 | 2051P22S9T | 20.0 | 22.5 | 25.25 |
| 24 | 2051P24S9T | 22.0 | 24.5 | 27.25 |
| 26 | 2051P26S9T | 24.0 | 26.5 | 29.25 |
| 28 | 2051P28S9T | 26.0 | 28.5 | 31.25 |
| 30 | 2051P30S9T | 28.0 | 30.5 | 33.25 |
| 32 | 2051P32S9T | 30.0 | 32.5 | 35.25 |
| 34 | 2051P34S9T | 32.0 | 34.5 | 37.25 |
| 36 | 2051P36S9T | 34.0 | 36.5 | 39.25 |
| 38 | 2051P38S9T | 36.0 | 38.5 | 41.25 |
| 40 | 2051P40S9T | 38.0 | 40.5 | 43.25 |



ISOMETRIC VIEW

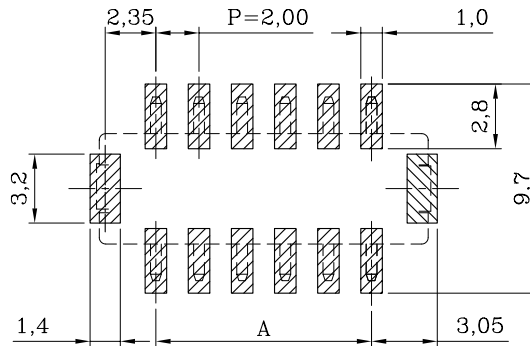


DESCRIPTION OF ORDER NO.:

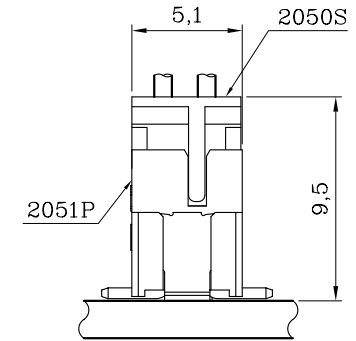


NOTES:

- MATERIAL:
BASE: HIGH HDT NYLON 94V-0, IVORY COLOR (NATURAL)
CONTACT PIN: BRASS
- MATES WITH 2050S DUAL-ROW SERIES PLUG HOUSING.
- DESCRIPTION OF COLOR CODE:
LEGEND: 2051PXXS9X-X (-X: COLOR CODE)
B=BLACK, C=COCONUT BROWN, E=BLUE, H=GRAY,
I=BRICK RED, M=GREEN, R=RED, W=BROWN
- REPLACEMENT OF HALOGEN-FREE PRODUCT:
LEGEND: 2051PXXS9X-XNH (NH: HALOGEN-FREE)
LEGEND: 2051PXXS9X-SNH (S=NATURAL COLOR)
- Q'ty per 330 mm Dia. Panel: 400 PCS/Embossed Tape Reel
- INFORMATION IN THIS DRAWING IS NOT CONSIDERED AS FINAL.



P.C. BOARD LAYOUT



ASSEMBLY LAYOUT



Sales Drawing

聯盈電子股份有限公司
LANDWIN ELECTRONIC CORP.

| | | | | | |
|----------------------|--------------------|-----------------|-----------------|---|-----------|
| GENERAL TOLERANCE: | PROJECTION FREE | SCALE FREE | UNIT MM | SHEET NO. 1 / 1 | REV W1 |
| | DRAWN R.G. | DRAW NO. | | | |
| | CHECKED J.L.Lin | (CQ) 2051PXXS9X | | | |
| | APPD H.Y.Lin | TITLE: | | | |
| W1 NEW RELEASE | 31-DEC-14' | ANGULAR ±3° | DATE 31-DEC-14' | 2.00 PITCH DUAL-ROW STRAIGHT SMT-HEADER | |
| REV. REVISION RECORD | DATE | | | | |

DESCRIPTION OF PLATING CODE

| | | | |
|---|-------------------|---|-------------------|
| T | REFLOW TIN-PLATED | 1 | GOLD FLASH-PLATED |
|---|-------------------|---|-------------------|