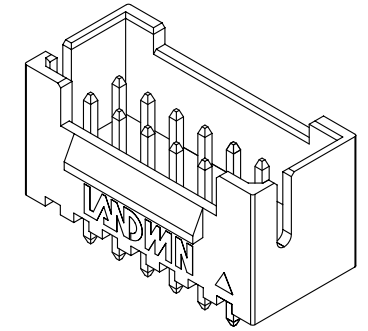
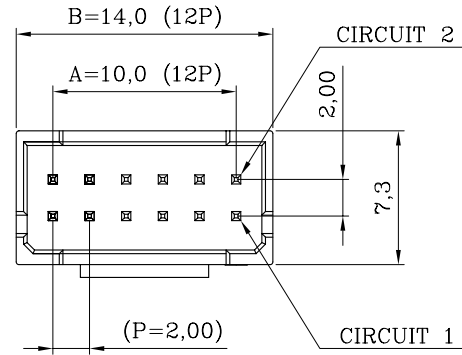
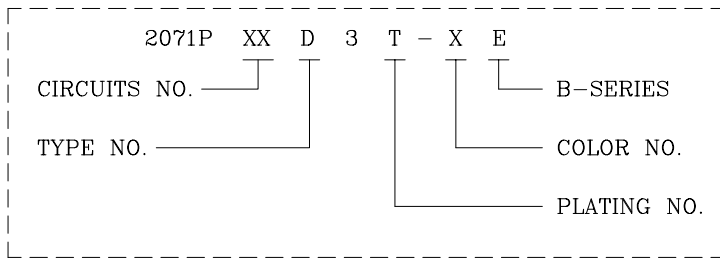


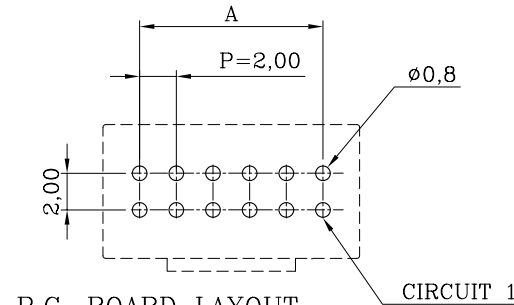
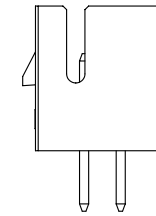
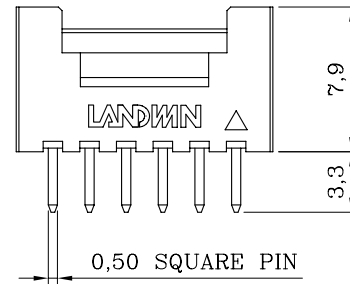
ORDER INFORMATION AND DIMENSION:

Circuits	Part No. (Matte tin, Light ivory color)	Dimension	
		A	B
12	2071P12D3T-SE	10.0	14.0
24	2071P24D3T-SE	22.0	26.0

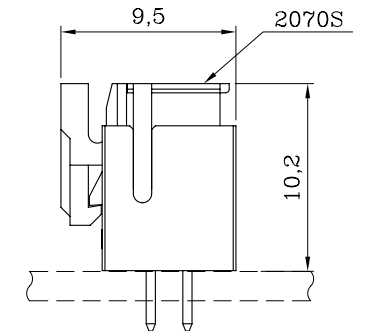
DESCRIPTION OF ORDER NO.:



ISOMETRIC VIEW



P.C. BOARD LAYOUT



ASSEMBLY LAYOUT

NOTES:

- MATERIAL:
BASE: GLASS-FILLED NYLON66 94V-0
CONTACT PIN: BRASS
- MATES WITH 2070S DUAL-ROW E-SERIES PLUG HOUSING.
- DESCRIPTION OF COLOR CODE:
LEGEND: 2071PXXD3X-XE (-X: COLOR CODE)
B=BLACK, C=COCONUT BROWN, E=BLUE, H=GRAY,
I=BRICK RED, M=GREEN, R=RED, W=BROWN
S=LIGHT IVORY (NATURAL)
- REPLACEMENT OF HALOGEN-FREE PRODUCT:
LEGEND: 2071PXXD3X-XENH (NH: HALOGEN-FREE)



Sales Drawing

LANDWIN 聯盈電子股份有限公司
LANDWIN ELECTRONIC CORP.

MATERIAL: SEE NOTES		PROJECTION		SCALE	UNIT	SHEET NO.	REV
FINISH(COLOR): SEE NOTES		FREE		FREE	MM	1 / 1	W1
		DRAWN		R.G.	DRAW NO.		
		CHECKED		J.L.Lin	(CQ) 2071PXXD3X-XE		
		APPD		H.Y.Lin	TITLE:		
W1	NEW RELEASE	31-DEC-14'	ANGULAR ±3°	DATE 31-DEC-14'	2.00 PITCH DUAL-ROW E-SERIES S/T DIP-HEADER		
REV.	REVISION RECORD	DATE					

DESCRIPTION OF PLATING CODE			
T	MATTE TIN-PLATED	1	GOLD FLASH-PLATED