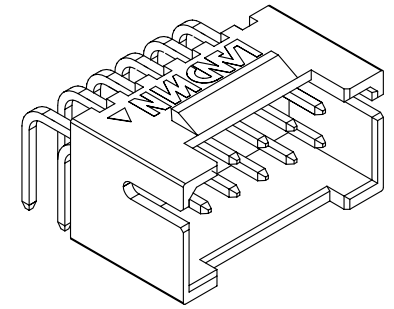
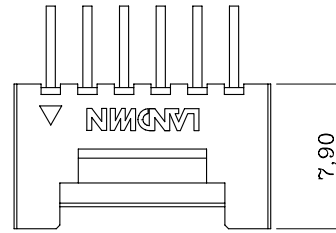


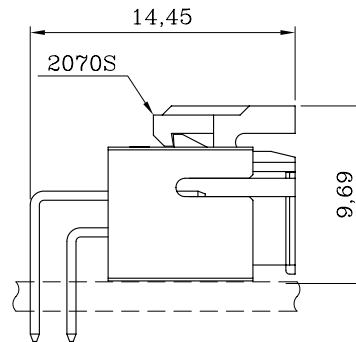
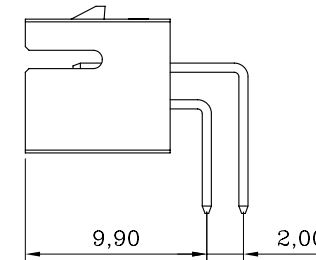
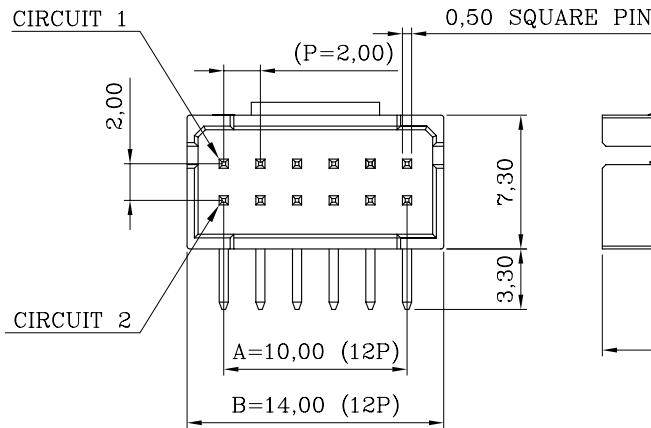
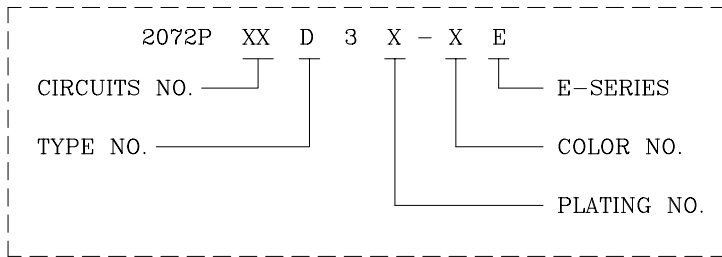
ORDER INFORMATION AND DIMENSION:

Circuits	Part No. (Matte tin, Light ivory color)	Dimension	
		A	B
12	2072P12D3T-SE	10.0	14.0
24	2072P24D3T-SE	22.0	26.0

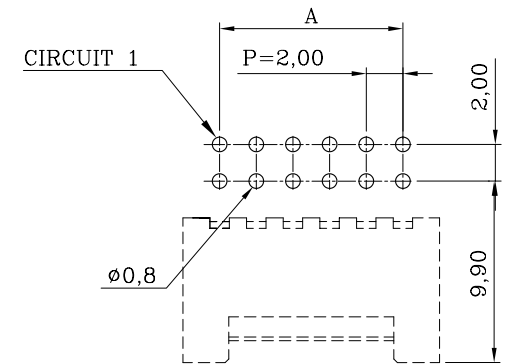


ISOMETRIC VIEW

DESCRIPTION OF ORDER NO.:



ASSEMBLY LAYOUT



P.C. BOARD LAYOUT

NOTES:

- MATERIAL:  
BASE: GLASS-FILLED NYLON66 94V-0  
CONTACT PIN: BRASS
- MATES WITH 2070S DUAL-ROW E-SERIES PLUG HOUSING.
- DESCRIPTION OF COLOR CODE:  
LEGEND: 2072PXXD3X-XE (-X: COLOR CODE)  
B=BLACK, C=COCONUT BROWN, E=BLUE, H=GRAY,  
I=BRICK RED, M=GREEN, R=RED, W=BROWN  
S=LIGHT IVORY (NATURAL)
- REPLACEMENT OF HALOGEN-FREE PRODUCT:  
LEGEND: 2072PXXD3X-XENH (NH: HALOGEN-FREE)

DESCRIPTION OF PLATING CODE

T	MATTE TIN-PLATED	1	GOLD FLASH-PLATED
---	------------------	---	-------------------



Sales Drawing



聯盈電子股份有限公司  
LANDWIN ELECTRONIC CORP.

MATERIAL: SEE NOTES		FINISH(COLOR): SEE NOTES		GENERAL TOLERANCE:		PROJECTION	SCALE	UNIT	SHEET NO.	REV
						⊕	FREE	MM	1 / 1	W1
						DRAWN	R.G.	DRAW NO.		
						CHECKED	J.L.Lin	(CQ) 2072PXXD3X-XB		
						APPD	H.Y.Lin	TITLE:		
W1	NEW RELEASE	31-DEC-14'	ANGULAR ±3°	DATE	31-DEC-14'	2.00 PITCH DUAL-ROW E-SERIES R/A DIP-HEADER				
REV.	REVISION RECORD	DATE								