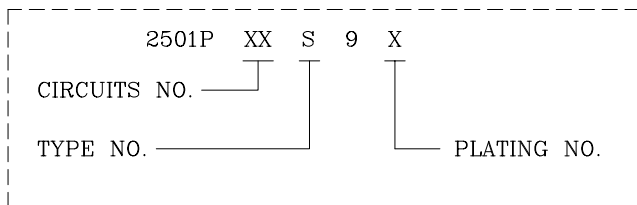


ORDER INFORMATION AND DIMENSION:

Circuits	Part No. (SMT Reflow Type)	Dimension		
		A	B	C
2	2501P02 S9V	2.5	7.5	10.0
3	2501P03 S9V	5.0	10.0	12.5
4	2501P04 S9V	7.5	12.5	15.0
5	2501P05 S9V	10.0	15.0	17.5
6	2501P06 S9V	12.5	17.5	20.0
7	2501P07 S9V	15.0	20.0	22.5
8	2501P08 S9V	17.5	22.5	25.0
9	2501P09 S9V	20.0	25.0	27.5
10	2501P10 S9V	22.5	27.5	30.0
11	2501P11 S9V	25.0	30.0	32.5
12	2501P12 S9V	27.5	32.5	35.0
13	2501P13 S9V	30.0	35.0	37.5
14	2501P14 S9V	32.5	37.5	40.0
15	2501P15 S9V	35.0	40.0	42.5

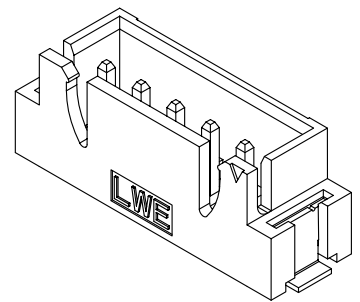
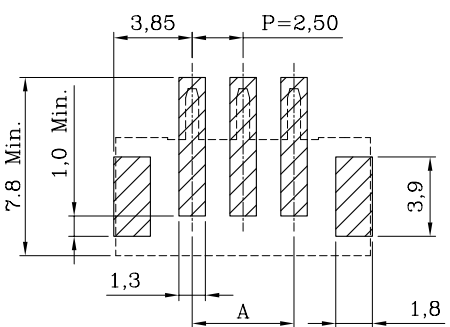
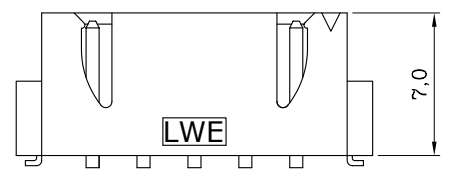
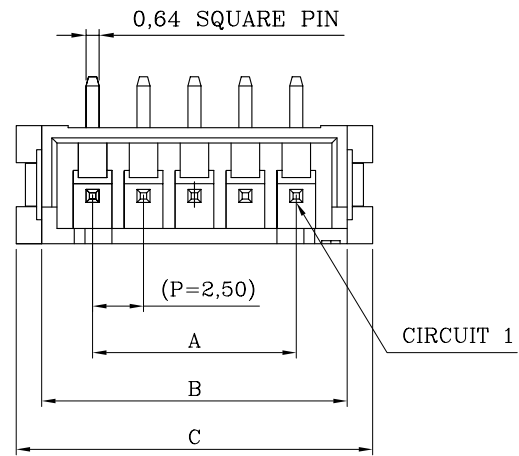
DESCRIPTION OF ORDER NO.:



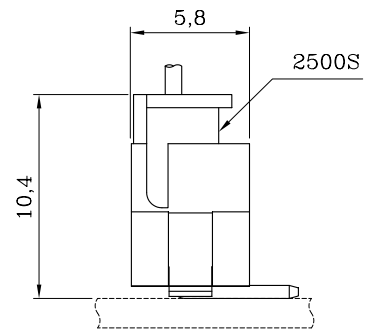
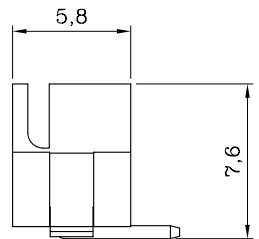
NOTES:

- MATERIAL:**  
 BASE: HIGH HDT NYLON 94V-0, IVORY COLOR (NATURAL)  
 CONTACT PIN: BRASS  
 SOLDER PEG: BRASS, MATTE TIN-PLATED
- MATES WITH 2500S SINGLE-ROW SERIES PLUG HOUSING.
- DESCRIPTION OF COLOR CODE:**  
 LEGEND: 2501PXXS9X-X (-X: COLOR CODE)  
 B=BLACK, C=COCONUT BROWN, E=BLUE, H=GRAY,  
 I=BRICK RED, M=GREEN, R=RED, W=BROWN
- REPLACEMENT OF HALOGEN-FREE PRODUCT:**  
 LEGEND: 2501PXXS9X-XNH (NH: HALOGEN-FREE)  
 LEGEND: 2501PXXS9X-SNH (S=NATURAL COLOR)
- PACKING Q'ty= 500 PCS (Embossed Tape Reel in 330 mm Dia. Panel)
- INFORMATION IN THIS DRAWING IS NOT CONSIDERED AS FINAL.

DESCRIPTION OF PLATING CODE:	
V= MATTE TIN-PLATED	1= GOLD FLASH-PLATED



ISOMETRIC VIEW



ASSEMBLY LAYOUT

P.C. BOARD LAYOUT (COMPONENT SIDE)

MATERIAL: SEE NOTES		RoHS Compliant		REACH Compliant	
FINISH(COLOR): SEE NOTES					
W1	NEW RELEASE	31-DEC-14'	ANGULAR ±3°	DATE 31-DEC-14'	
REV.	REVISION RECORD	DATE			

GWT 850 °C Rated			Sales Drawing		
<b>LANDWIN</b> 聯盈電子股份有限公司 LANDWIN ELECTRONIC CORP.					
GENERAL TOLERANCE:	PROJECTION	SCALE	UNIT	SHEET NO.	REV
	⊕	FREE	MM	1 / 1	W1
	DRAWN	R.G.	DRAW NO.		
	CHECKED	J.L.Lin	(CQ) 2501PXXS9X		
	APPD	H.Y.Lin	TITLE:		
			2.50 PITCH SINGLE-ROW STRAIGHT SMT-HEADER		