

12 11 10 9 8 7 6 5 4 3 2 1

A

B

C

D

E

F

A

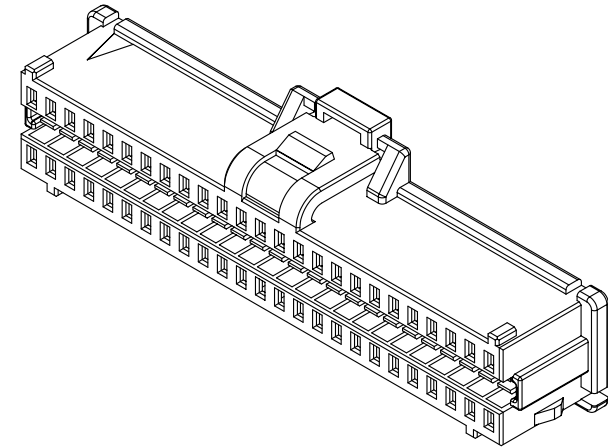
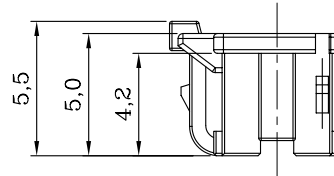
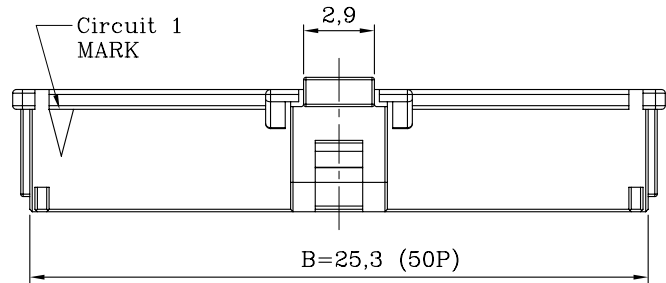
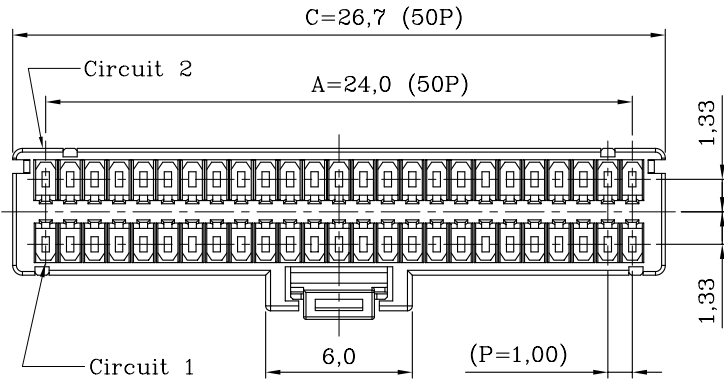
B

C

D

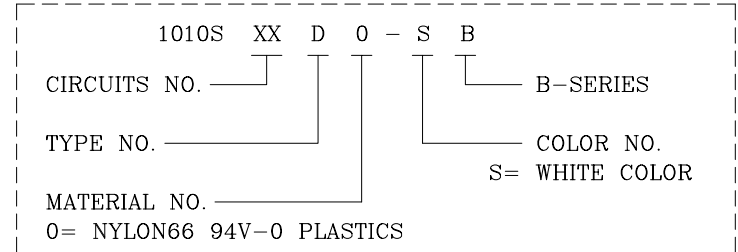
E

F



ISOMETRIC VIEW

DESCRIPTION OF ORDER NO.:



NOTES:

- MATERIAL:
BASE: NYLON66 94V-0
- USE WITH 1013T011X SERIES CRIMP TERMINAL.
- MATES WITH 1011P DUAL-ROW B-SERIES HEADER.
- DESCRIPTION OF COLOR CODE:
LEGEND: 1010SXXD0-XB (-X: COLOR CODE)
B=BLACK, C=COCONUT BROWN, D=ORANGE, E=BLUE, H=GRAY,
I=BRICK RED, K=PURPLE, L=LEMON YELLOW, M=GREEN,
P=PINK, R=RED, V=LAVENDER, W=BROWN, Y=YELLOW
S=WHITE (NATURAL COLOR)
- INFORMATION IN THIS DRAWING IS NOT CONSIDERED AS FINAL.



Sales Drawing

MATERIAL: SEE NOTES		FINISH(COLOR): SEE NOTES	
W1	NEW RELEASE	31-DEC-14'	ANGULAR ±3°
REV.	REVISION RECORD	DATE	

LANDWIN 聯盈電子股份有限公司		LANDWIN ELECTRONIC CORP.	
GENERAL TOLERANCE:	PROJECTION FREE	SCALE MM	UNIT MM
	DRAWN R.G.	CHECKED J.L.Lin	SHEET NO. 1 / 1
	APPD H.Y.Lin	DATE 31-DEC-14'	REV W1
DRAW NO. (AQ) 1010SXXD0-SB		TITLE: 1.00 PITCH DUAL-ROW TYPE-B PLUG HOUSING	