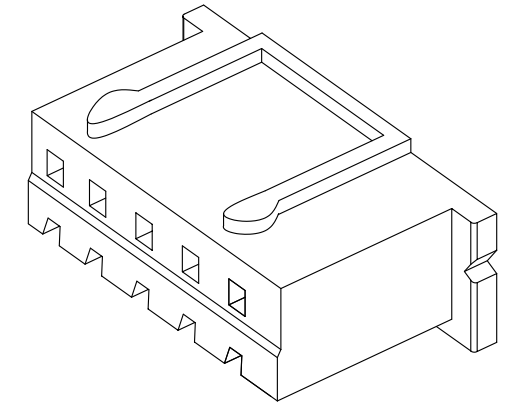
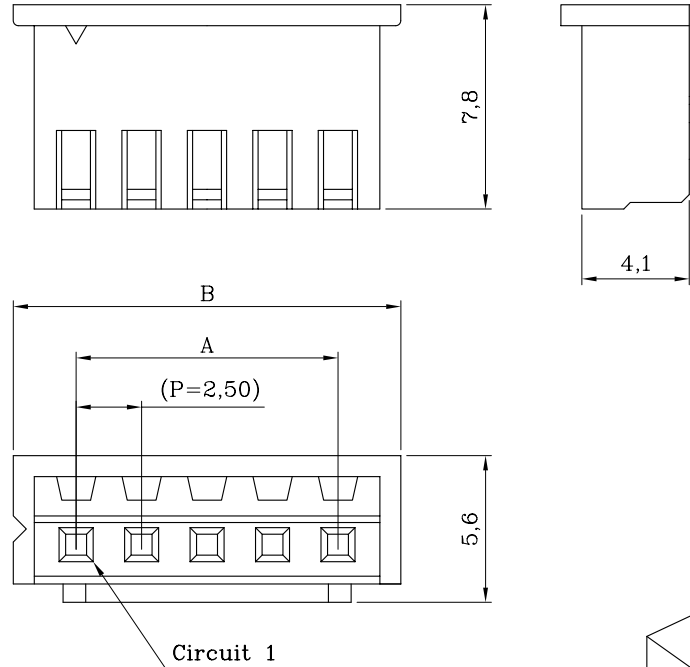
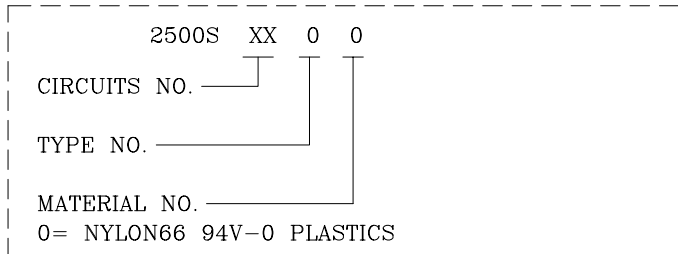


ORDER INFORMATION AND DIMENSION:

Circuits	Part No.	Dimension		
		A	B	C
2	2500S02 00	2.5	5.7	7.3
3	2500S03 00	5.0	8.2	9.8
4	2500S04 00	7.5	10.7	12.3
5	2500S05 00	10.0	13.2	14.8
6	2500S06 00	12.5	15.7	17.3
7	2500S07 00	15.0	18.2	19.8
8	2500S08 00	17.5	20.7	22.3
9	2500S09 00	20.0	23.2	24.8
10	2500S10 00	22.5	25.7	27.3
11	2500S11 00	25.0	28.2	29.8
12	2500S12 00	27.5	30.7	32.3
13	2500S13 00	30.0	33.2	34.8
14	2500S14 00	32.5	35.7	37.3
15	2500S15 00	35.0	38.2	39.8
16	2500S16 00	37.5	40.7	42.3



DESCRIPTION OF ORDER NO.:



NOTES:

- MATERIAL: BASE: NYLON66 94V-0, WHITE COLOR (NATURAL)
- USE WITH 2503T01XX SERIES CRIMP TERMINAL.
- MATES WITH 2501P, 2502P SINGLE-ROW SERIES HEADER.
- DESCRIPTION OF COLOR CODE:  
LEGEND: 2500SXX00-X (-X: COLOR CODE)  
B=BLACK, C=COCONUT BROWN, D=ORANGE, E=BLUE, H=GRAY, I=BRICK RED, K=PURPLE, L=LEMON YELLOW, M=GREEN, P=PINK, R=RED, V=LAVENDER, W=BROWN, Y=YELLOW
- INFORMATION IN THIS DRAWING IS NOT CONSIDERED AS FINAL.



Sales Drawing

MATERIAL: SEE NOTES		FINISH(COLOR): SEE NOTES		聯盈電子股份有限公司 LANDWIN ELECTRONIC CORP.		
GENERAL TOLERANCE:	PROJECTION	SCALE	UNIT	SHEET NO.	REV	
		FREE	MM	1 / 1	W1	
	DRAWN R.G.	DRAW NO.				
	CHECKED J.L.Lin	(AQ) 2500SXX00				
	APPD H.Y.Lin	TITLE:				
W1	NEW RELEASE	31-DEC-14'	ANGULAR ±3°	DATE 31-DEC-14'	2.50 PITCH SINGLE-ROW PLUG HOUSING	
REV.	REVISION RECORD	DATE				