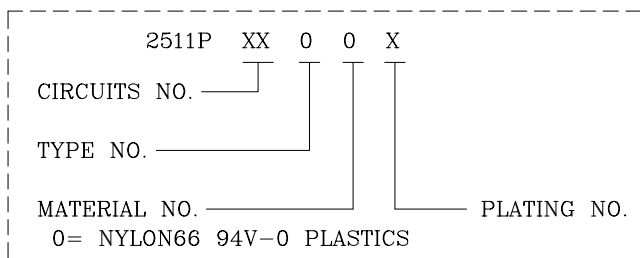


ORDER INFORMATION AND DIMENSION:

Circuits	Part No. (White color, T/P)	Dimension	
		A	B
2	2511P0200T	2.5	5.0
3	2511P0300T	5.0	7.5
4	2511P0400T	7.5	10.0
5	2511P0500T	10.0	12.5
6	2511P0600T	12.5	15.0
7	2511P0700T	15.0	17.5
8	2511P0800T	17.5	20.0
9	2511P0900T	20.0	22.5
10	2511P1000T	22.5	25.0
11	2511P1100T	25.0	27.5
12	2511P1200T	27.5	30.0
13	2511P1300T	30.0	32.5
14	2511P1400T	32.5	35.0
15	2511P1500T	35.0	37.5

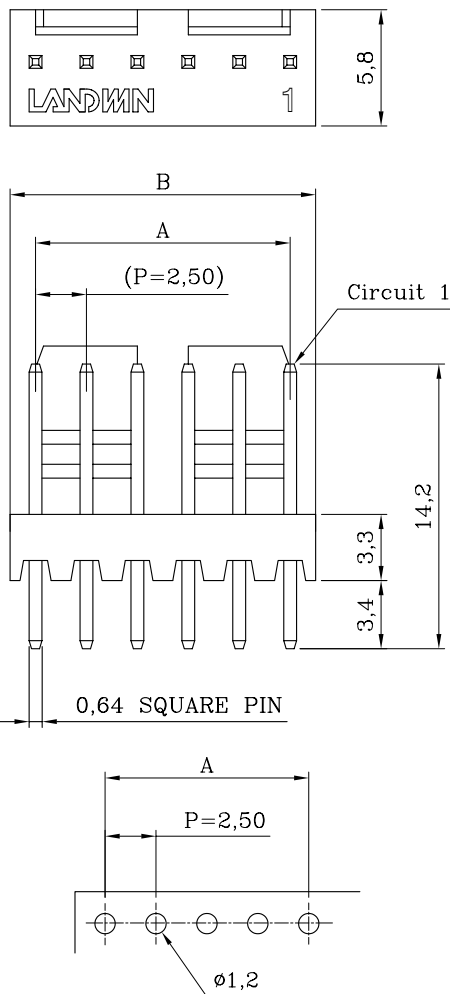
DESCRIPTION OF ORDER NO.:



NOTES:

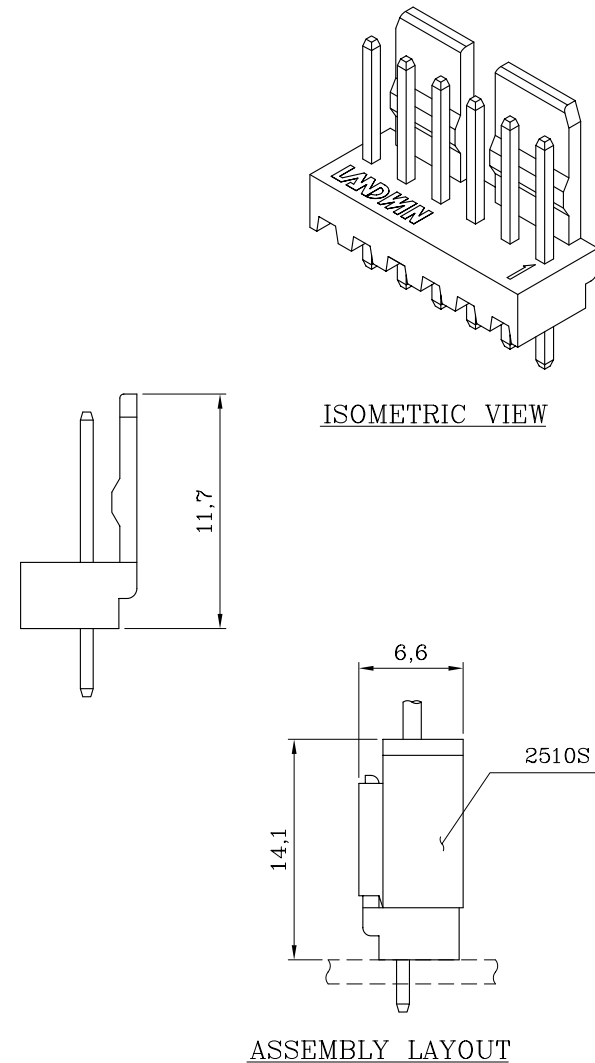
- MATERIAL:
BASE: NYLON66 94V-0, LIGHT IVORY COLOR (NATURAL)
CONTACT PIN: BRASS
- MATES WITH 2510S TYPE-A SINGLE-ROW SERIES PLUG HOUSING.
- DESCRIPTION OF COLOR CODE:
LEGEND: 2511PXX00X-X (-X: COLOR CODE)
B=BLACK, C=COCONUT BROWN, D=ORANGE, E=BLUE, H=GRAY,
I=BRICK RED, K=PURPLE, L=LEMON YELLOW, M=GREEN,
P=PINK, R=RED, V=LAVENDER, W=BROWN, Y=YELLOW
- INFORMATION IN THIS DRAWING IS NOT CONSIDERED AS FINAL.

DESCRIPTION OF PLATING CODE:	
T= TIN-PLATED (T/P)	1= GOLD FLASH-PLATED
V= MATTE TIN-PLATED	



P.C. BOARD LAYOUT
(COMPONENT SIDE)

MATERIAL: SEE NOTES		FINISH(COLOR): SEE NOTES	
W1	NEW RELEASE	31-DEC-14'	ANGULAR ±3°
REV.	REVISION RECORD	DATE	



		Sales Drawing			
		聯盈電子股份有限公司 LANDWIN ELECTRONIC CORP.			
GENERAL TOLERANCE:	PROJECTION	SCALE	UNIT	SHEET NO.	REV
		FREE	MM	1 / 1	W1
	DRAWN R.G.	DRAW NO.			
	CHECKED J.L.Lin	(CQ) 2511PXX00X			
	APPD H.Y.Lin	TITLE:			
	DATE 31-DEC-14'	2.50 PITCH SINGLE-ROW STRAIGHT DIP-HEADER			