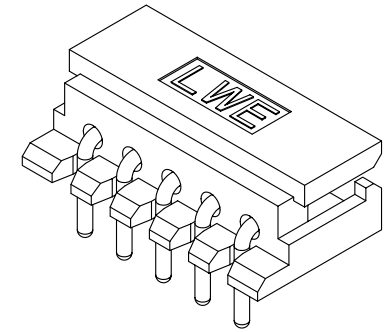
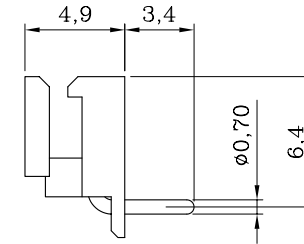
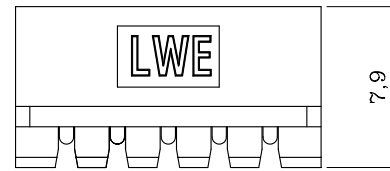
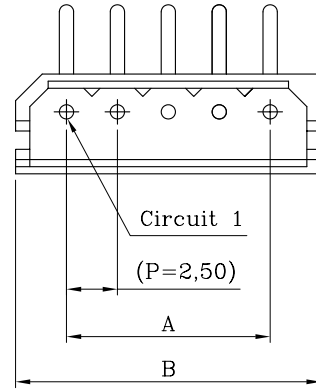


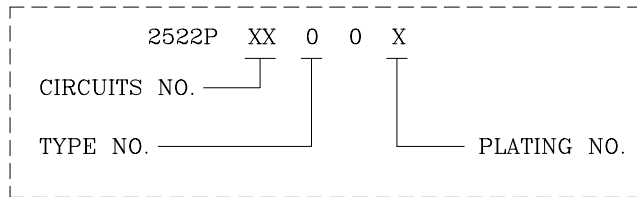
ORDER INFORMATION AND DIMENSION:

Circuits	Part No.	Dimension	
	Right-Angle Type	A	B
2	2522P02 00T	2.5	7.5
3	2522P03 00T	5.0	10.0
4	2522P04 00T	7.5	12.5
5	2522P05 00T	10.0	15.0
6	2522P06 00T	12.5	17.5
7	2522P07 00T	15.0	20.0
8	2522P08 00T	17.5	22.5
9	2522P09 00T	20.0	25.0
10	2522P10 00T	22.5	27.5
11	2522P11 00T	25.0	30.0
12	2522P12 00T	27.5	32.5
13	2522P13 00T	30.0	35.0
14	2522P14 00T	32.5	37.5
15	2522P15 00T	35.0	40.0



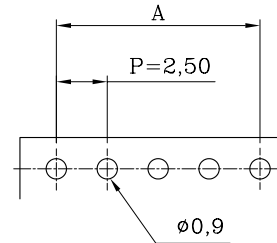
ISOMETRIC VIEW

DESCRIPTION OF ORDER NO.:

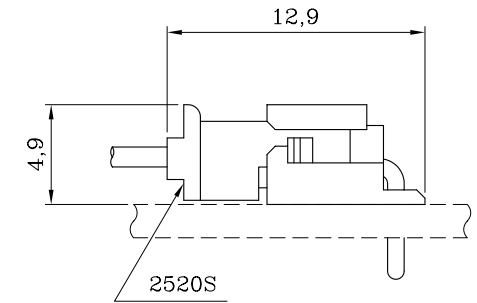


NOTES:

- MATERIAL:
BASE: GLASS-FILLED NYLON66 94V-0,
LIGHT IVORY COLOR (NATURAL)
CONTACT PIN: BRASS
- MATES WITH 2520S SINGLE-ROW SERIES PLUG HOUSING.
- DESCRIPTION OF COLOR CODE:
LEGEND: 2522PXX00X-X (-X: COLOR CODE)
B=BLACK, C=COCONUT BROWN, E=BLUE, H=GRAY,
I=BRICK RED, M=GREEN, R=RED, W=BROWN
- REPLACEMENT OF HALOGEN-FREE PRODUCT:
LEGEND: 2522PXX00X-XNH (NH: HALOGEN-FREE)
LEGEND: 2522PXX00X-SNH (S=NATURAL COLOR)
- INFORMATION IN THIS DRAWING IS NOT CONSIDERED AS FINAL.



P.C. BOARD LAYOUT



ASSEMBLY LAYOUT

DESCRIPTION OF PLATING CODE			
	TIN-PLATED	1	GOLD FLASH-PLATED
	MATTE TIN-PLATED		



Sales Drawing

LANDWIN 聯盈電子股份有限公司
LANDWIN ELECTRONIC CORP.

MATERIAL: SEE NOTES			
FINISH(COLOR): SEE NOTES			
W1	NEW RELEASE	31-DEC-14'	ANGULAR ±3°
REV.	REVISION RECORD	DATE	

GENERAL TOLERANCE:	PROJECTION	SCALE	UNIT	SHEET NO.	REV
	⊕	FREE	MM	1 / 1	W1
	DRAWN	R.G.	DRAW NO.		
	CHECKED	J.L.Lin	(CQ) 2522PXX00X		
	APPD	H.Y.Lin	TITLE:		
			2.50 PITCH SINGLE-ROW RIGHT-ANGLE DIP-HEADER		