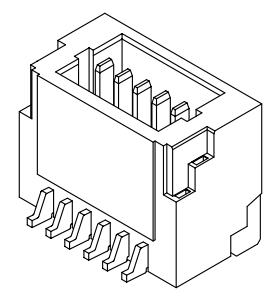
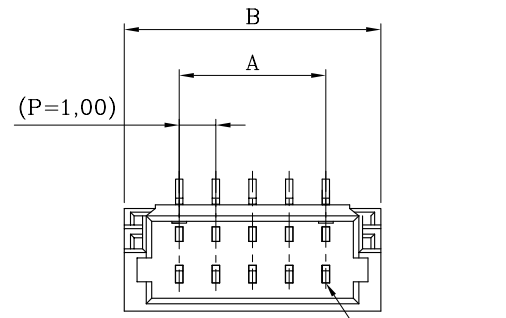
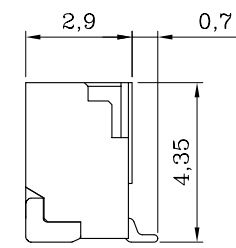


ORDER INFORMATION AND DIMENSION:

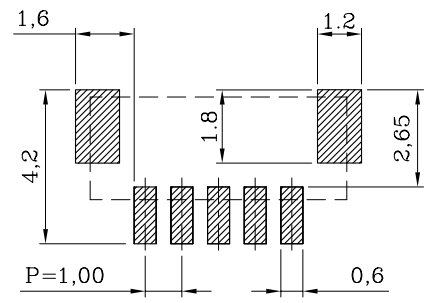
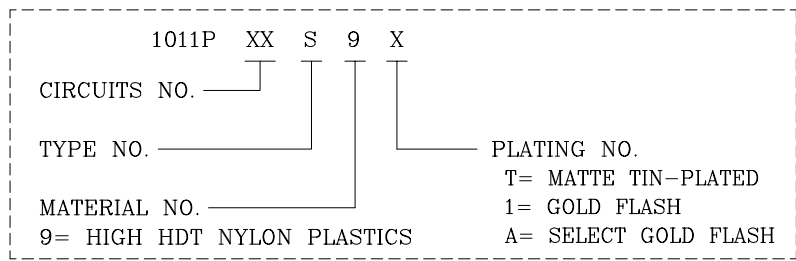
| Circuits | Part No. (Matte Tin, Ivory color) | Dimension | |
|----------|--------------------------------------|-----------|------|
| | | A | B |
| 2 | 1011P02S9T | 1.0 | 4.0 |
| 3 | 1011P03S9T | 2.0 | 5.0 |
| 4 | 1011P04S9T | 3.0 | 6.0 |
| 5 | 1011P05S9T | 4.0 | 7.0 |
| 6 | 1011P06S9T | 5.0 | 8.0 |
| 7 | 1011P07S9T | 6.0 | 9.0 |
| 8 | 1011P08S9T | 7.0 | 10.0 |
| 9 | 1011P09S9T | 8.0 | 11.0 |
| 10 | 1011P10S9T | 9.0 | 12.0 |
| 11 | 1011P11S9T | 10.0 | 13.0 |
| 12 | 1011P12S9T | 11.0 | 14.0 |
| 13 | 1011P13S9T | 12.0 | 15.0 |
| 14 | 1011P14S9T | 13.0 | 16.0 |
| 15 | 1011P15S9T | 14.0 | 17.0 |
| 16 | 1011P16S9T | 15.0 | 18.0 |
| 17 | 1011P17S9T | 16.0 | 19.0 |
| 18 | 1011P18S9T | 17.0 | 20.0 |
| 19 | 1011P19S9T | 18.0 | 21.0 |
| 20 | 1011P20S9T | 19.0 | 22.0 |



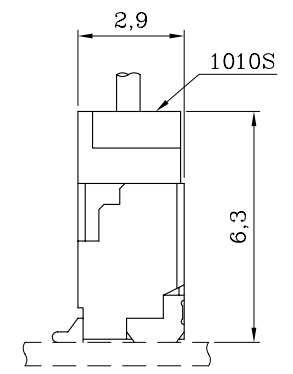
ISOMETRIC VIEW



DESCRIPTION OF ORDER NO.:



P.C. BOARD LAYOUT



ASSEMBLY LAYOUT

NOTES:

- MATERIAL:
BASE: HIGH HDT NYLON 94V-0, IVORY COLOR (NATURAL)
CONTACT PIN: PHOSPHOR BRONZE
- MATES WITH 1010S SINGLE-ROW SERIES PLUG HOUSING.
- DESCRIPTION OF COLOR CODE:
LEGEND: 1011PXXS9X-X (-X: COLOR CODE)
B=BLACK, C=COCONUT BROWN, E=BLUE, H=GRAY,
I=BRICK RED, M=GREEN, R=RED, W=BROWN
- REPLACEMENT OF HALOGEN-FREE PRODUCT:
LEGEND: 1011PXXS9X-XNH (NH: HALOGEN-FREE)
LEGEND: 1011PXXS9X-SNH (S= IVORY COLOR/NATURAL)
- Q'ty per 330 mm Dia. Panel: 1,000 PCS/Embossed Tape Reel
- INFORMATION IN THIS DRAWING IS NOT CONSIDERED AS FINAL.



Sales Drawing

LANDWIN 聯盈電子股份有限公司
LANDWIN ELECTRONIC CORP.

| | | | | | | | |
|--------------------------|-----------------|-----------------|-------------|-----------------|---|-----------|-----|
| MATERIAL: SEE NOTES | | PROJECTION | | SCALE | UNIT | SHEET NO. | REV |
| FINISH(COLOR): SEE NOTES | | FREE | | FREE | MM | 1 / 1 | W1 |
| | | DRAWN R.G. | | DRAW NO. | | | |
| | | CHECKED J.L.Lin | | (CQ) 1011PXXS9X | | | |
| | | APPD H.Y.Lin | | TITLE: | | | |
| W1 | NEW RELEASE | 31-DEC-14' | ANGULAR ±3° | DATE 31-DEC-14' | 1.00 PITCH SINGLE-ROW STRAIGHT SMT-HEADER | | |
| REV. | REVISION RECORD | DATE | | | | | |