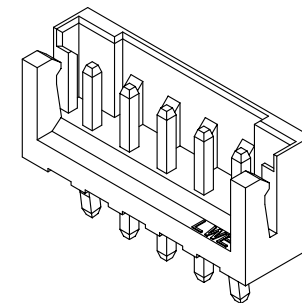
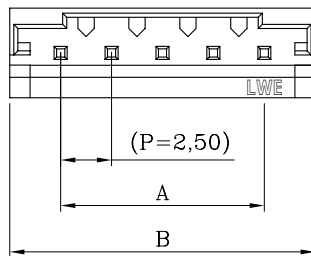
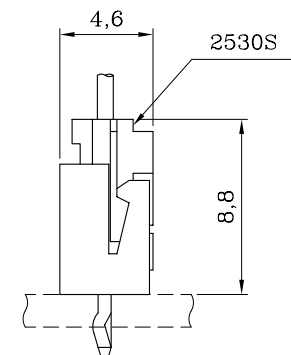
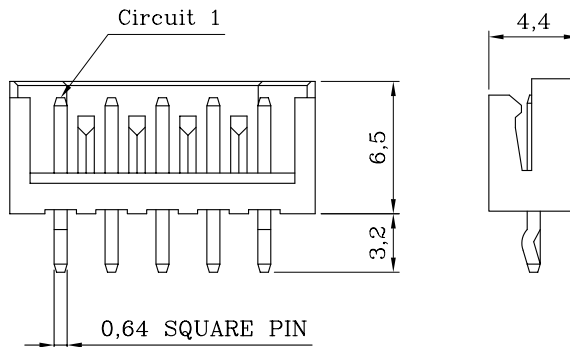


ORDER INFORMATION AND DIMENSION:

Circuits	Part No. (White color, T/P)	Dimension	
		A	B
2	2531P0200T	2.5	7.5
3	2531P0300T	5.0	10.0
4	2531P0400T	7.5	12.5
5	2531P0500T	10.0	15.0
6	2531P0600T	12.5	17.5
7	2531P0700T	15.0	20.0
8	2531P0800T	17.5	22.5
9	2531P0900T	20.0	25.0
10	2531P1000T	22.5	27.5
11	2531P1100T	25.0	30.0
12	2531P1200T	27.5	32.5
13	2531P1300T	30.0	35.0
14	2531P1400T	32.5	37.5
15	2531P1500T	35.0	40.0

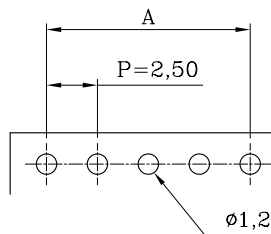
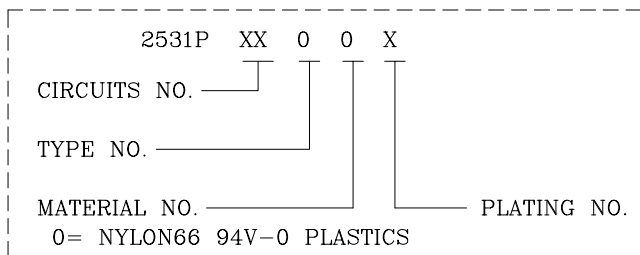


ISOMETRIC VIEW



ASSEMBLY LAYOUT

DESCRIPTION OF ORDER NO.:



P.C. BOARD LAYOUT
(COMPONENT SIDE)

NOTES:

- MATERIAL:
BASE: NYLON66 94V-0, WHITE COLOR (NATURAL)
CONTACT PIN: BRASS
- MATES WITH 2530S SINGLE-ROW SERIES PLUG HOUSING.
- DESCRIPTION OF COLOR CODE:
LEGEND: 2531PXX00X-X (-X: COLOR CODE)
B=BLACK, C=COCONUT BROWN, D=ORANGE, E=BLUE, H=GRAY,
I=BRICK RED, K=PURPLE, L=LEMON YELLOW, M=GREEN,
P=PINK, R=RED, V=LAVENDER, W=BROWN, Y=YELLOW
- INFORMATION IN THIS DRAWING IS NOT CONSIDERED AS FINAL.

DESCRIPTION OF PLATING CODE:	
T= TIN-PLATED (T/P)	1= GOLD FLASH-PLATED
V= MATTE TIN-PLATED	



Sales Drawing



聯盈電子股份有限公司
LANDWIN ELECTRONIC CORP.

GENERAL TOLERANCE:	PROJECTION	SCALE	UNIT	SHEET NO.	REV
		FREE	MM	1 / 1	W1
	DRAWN	R.G.	DRAW NO.		
	CHECKED	J.L.Lin	(CQ) 2531PXX00X		
	APPD	H.Y.Lin	TITLE:		
W1	NEW RELEASE	31-DEC-14'	ANGULAR ±3°	DATE 31-DEC-14'	2.50 PITCH SINGLE-ROW STRAIGHT DIP-HEADER
REV.	REVISION RECORD	DATE			