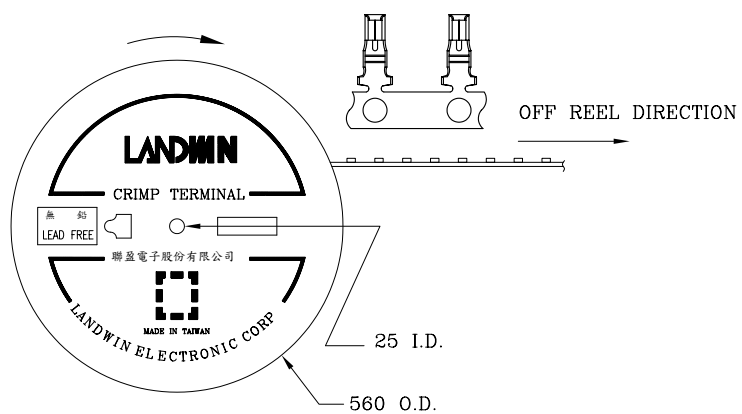


12 11 10 9 8 7 6 5 4 3 2 1

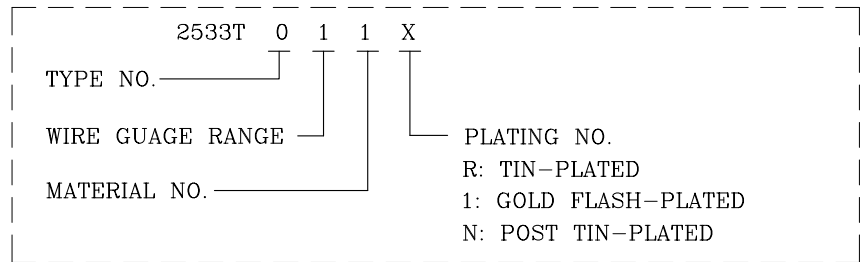
A
B
C
D
E
F

A
B
C
D
E
F



ROLL FORM PACKAGE

DESCRIPTION OF ORDER NO.:

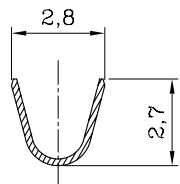
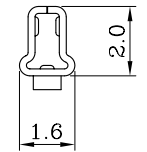
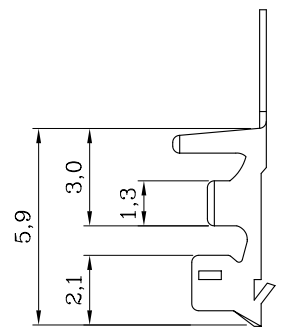
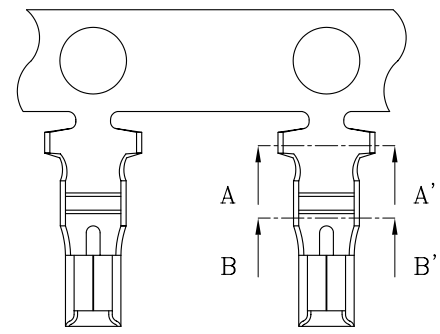


ORDER INFORMATION AND DIMENSION:

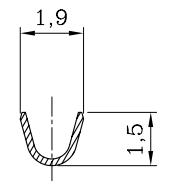
ORDER NO.	TERMINAL TYPE	WIRE GAUGE RANGE (AWG)	INSULATION DIAMETER	Q'TY/REEL
2533T011X	CHAIN	#22 ~ #28	ø1.9 MAX.	10,000 PCS

NOTES:

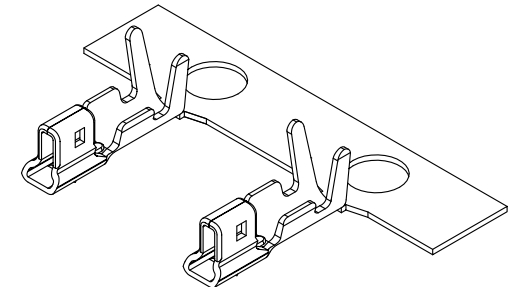
1. MATERIAL: PHOSPHOR BRONZE
2. USE WITH 2530S SERIES PLUG HOUSING
3. INFORMATION IN THIS DRAWING IS NOT CONSIDERED AS FINAL.



SEC A-A'



SEC B-B'



ISOMETRIC VIEW



Sales Drawing

LANDWIN 聯盈電子股份有限公司
LANDWIN ELECTRONIC CORP.

MATERIAL: SEE NOTES		FINISH(COLOR): SEE NOTES	
W1	NEW RELEASE	31-DEC-14'	ANGULAR ±3°
REV.	REVISION RECORD	DATE	

GENERAL TOLERANCE:	PROJECTION	SCALE	UNIT	SHEET NO.	REV
	⊕	FREE	MM	1 / 1	W1
	DRAWN	R.G.	DRAW NO.		
	CHECKED	J.L.Lin	(BQ) 2533T011X		
	APPD	H.Y.Lin	TITLE:		
			CRIMP TERMINAL (2530S SERIES)		