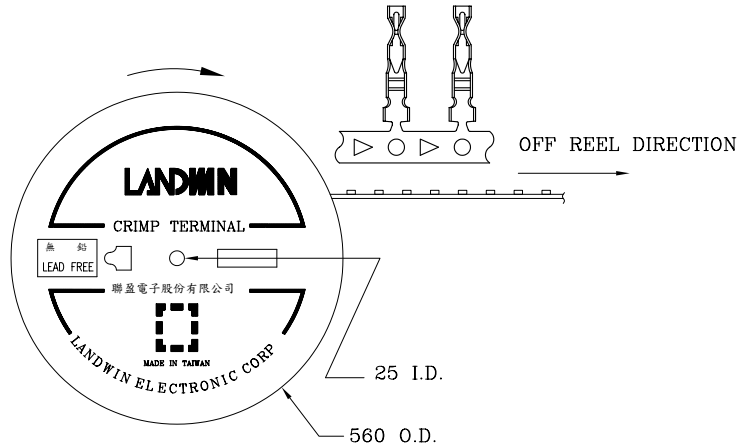


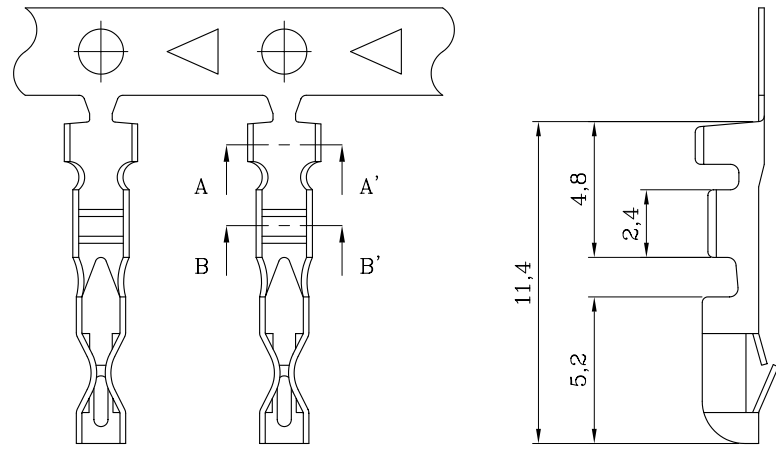
12 11 10 9 8 7 6 5 4 3 2 1

A  
B  
C  
D  
E  
F

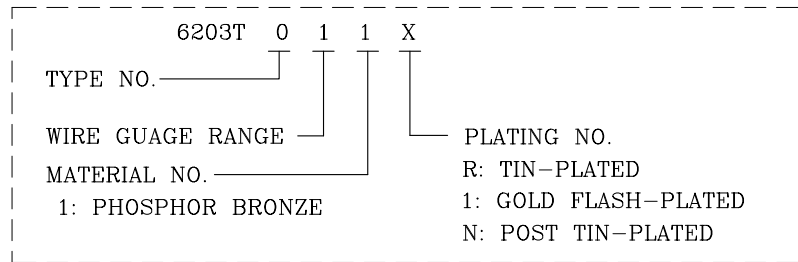
A  
B  
C  
D  
E  
F



ROLL FORM PACKAGE

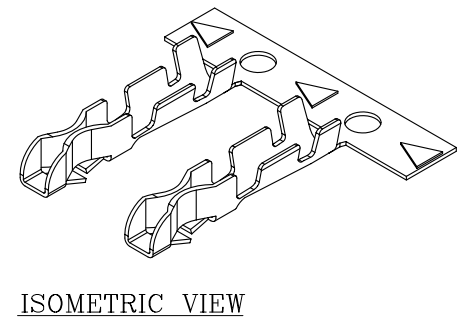
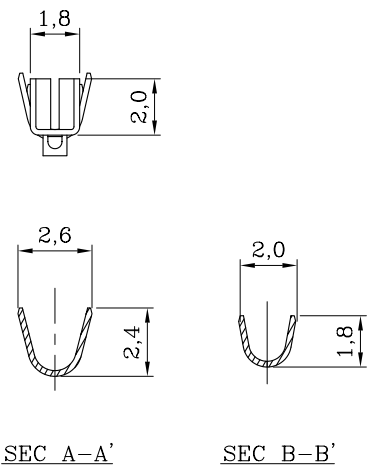


DESCRIPTION OF ORDER NO.:



ORDER INFORMATION AND DIMENSION:

ORDER NO.	TERMINAL TYPE	WIRE GAUGE RANGE (AWG)	INSULATION DIAMETER	Q'TY/REEL
6203T011X	CHAIN	#22 ~ #26	ø1.65 MAX.	10,000 PCS



- NOTES:
- MATERIAL: PHOSPHOR BRONZE
  - USE WITH 6200S SERIES PLUG HOUSING
  - INFORMATION IN THIS DRAWING IS NOT CONSIDERED AS FINAL.

		Sales Drawing			
		聯盈電子股份有限公司 LANDWIN ELECTRONIC CORP.			
GENERAL TOLERANCE:	PROJECTION 	SCALE FREE	UNIT MM	SHEET NO. 1 / 1	REV W1
DRAWN R.G.		DRAW NO.			
CHECKED J.L.Lin		(BQ) 6203T011X			
APPD H.Y.Lin		TITLE:			
W1	NEW RELEASE	31-DEC-14'	ANGULAR ±3°	DATE 31-DEC-14'	CRIMP TERMINAL (6200S SERIES)
REV.	REVISION RECORD	DATE			